

- Features :
- Protections: Short circuit/Over load/Over voltage
 - Cooling by free air convection
 - LED indicator for power on
 - 100% full load burn-in test
 - 2 years warranty

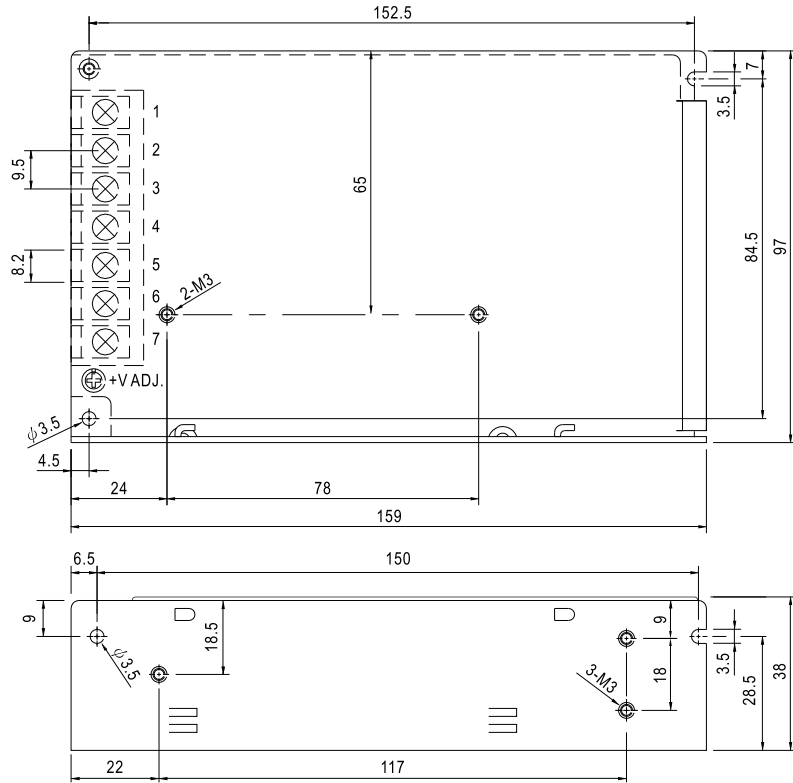
SPECIFICATION

MODEL		NES-100-10	
OUTPUT	DC VOLTAGE	10V	
	RATED CURRENT	10A	
	CURRENT RANGE	0 ~ 10A	
	RATED POWER	100W	
	RIPPLE & NOISE (max.) Note.2	120mVp-p	
	VOLTAGE ADJ. RANGE	9 ~ 11V	
	VOLTAGE TOLERANCE Note.3	±1.0%	
	LINE REGULATION Note.4	±0.5%	
	LOAD REGULATION Note.5	±0.5%	
	SETUP, RISE TIME	500ms, 20ms/230VAC 500ms, 20ms/115VAC at full load	
HOLD TIME (Typ.)	30ms/230VAC 25ms/115VAC at full load		
INPUT	VOLTAGE RANGE	85 ~ 132VAC / 176 ~ 264VAC selected by switch 248 ~ 373VDC	
	FREQUENCY RANGE	47 ~ 63Hz	
	EFFICIENCY (Typ.)	80%	
	AC CURRENT (Typ.)	2A/115VAC 1.2A/230VAC	
	INRUSH CURRENT (Typ.)	COLD START 43A	
	LEAKAGE CURRENT	<2mA / 240VAC	
PROTECTION	OVER LOAD	110 ~ 150% rated output power Protection type : Hiccup mode, recovers automatically after fault condition is removed	
	OVER VOLTAGE	11.5 ~ 13.5V Protection type : Hiccup mode, recovers automatically after fault condition is removed	
ENVIRONMENT	WORKING TEMP.	-20 ~ +60°C (Refer to output load derating curve)	
	WORKING HUMIDITY	20 ~ 90% RH non-condensing	
	STORAGE TEMP., HUMIDITY	-40 ~ +85°C, 10 ~ 95% RH	
	TEMP. COEFFICIENT	±0.03%/°C (0 ~ 50°C)	
SAFETY & EMC (Note 6)	WITHSTAND VOLTAGE	I/P-O/P:3KVAC I/P-FG:1.5KVAC O/P-FG:0.5KVAC	
	ISOLATION RESISTANCE	I/P-O/P, I/P-FG, O/P-FG:100M Ohms/500VDC	
OTHERS	MTBF	320.7Khrs min. MIL-HDBK-217F (25°C)	
	DIMENSION	159*97*38mm (L*W*H)	
	PACKING	0.55Kg; 30pcs/17.5Kg/0.97CUFT	
NOTE	<p>1. All parameters not specially mentioned are measured at 230VAC input, rated load and 25°C of ambient temperature.</p> <p>2. Ripple & noise are measured at 20MHz of bandwidth by using a 12" twisted pair-wire terminated with a 0.1uf & 47uf parallel capacitor.</p> <p>3. Tolerance : includes set up tolerance, line regulation and load regulation.</p> <p>4. Line regulation is measured from low line to high line at rated load.</p> <p>5. Load regulation is measured from 0% to 100% rated load.</p> <p>6. The power supply is considered a component which will be installed into a final equipment. The final equipment must be re-confirmed that it still meets EMC directives. For guidance on how to perform these EMC tests, please refer to "EMI testing of component power supplies." (as available on http://www.meanwell.com)</p>		



Mechanical Specification

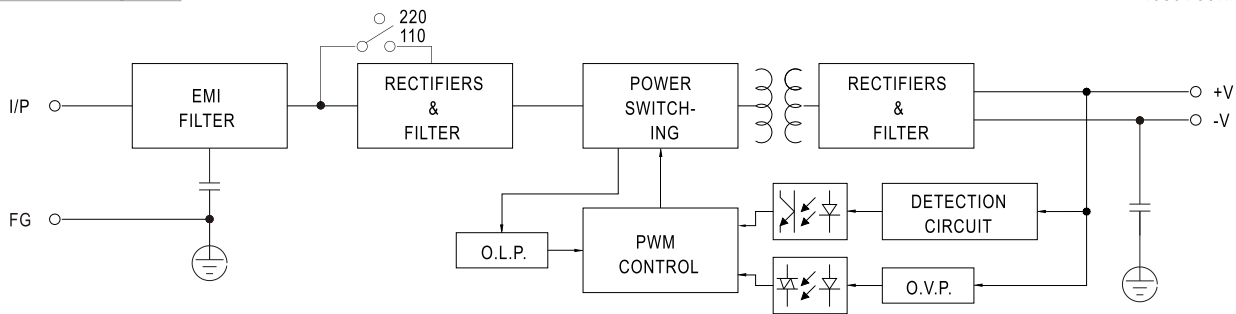
Case No. 901 Unit:mm



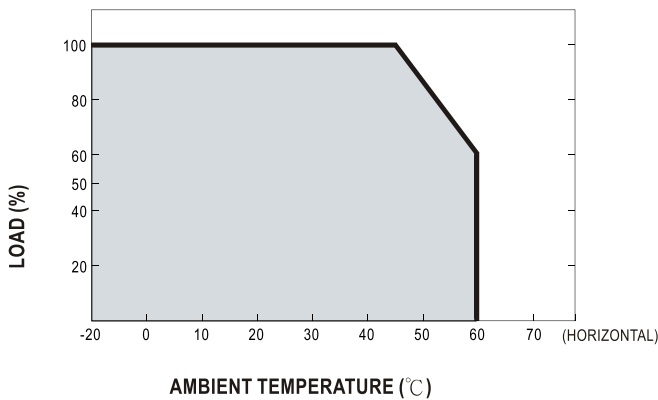
Terminal Pin. No Assignment

Pin No.	Assignment	Pin No.	Assignment
1	AC/L	4,5	DC OUTPUT -V
2	AC/N	6,7	DC OUTPUT +V
3	FG \perp		

Block Diagram



Derating Curve



Static Characteristics

